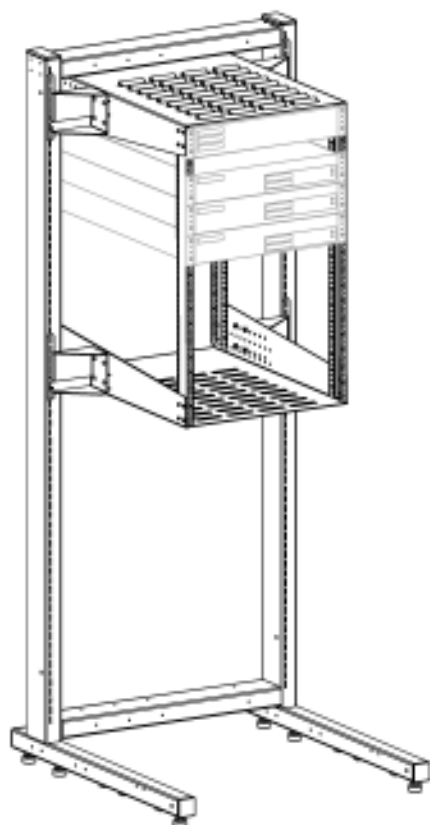

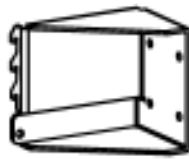



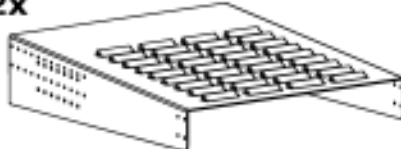

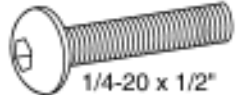





19" Rack Add-on



800-994-3002



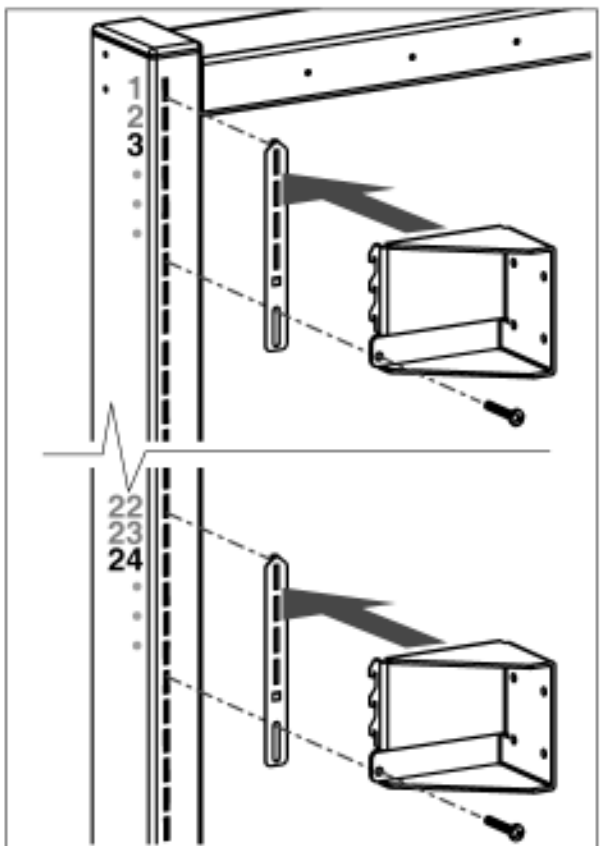
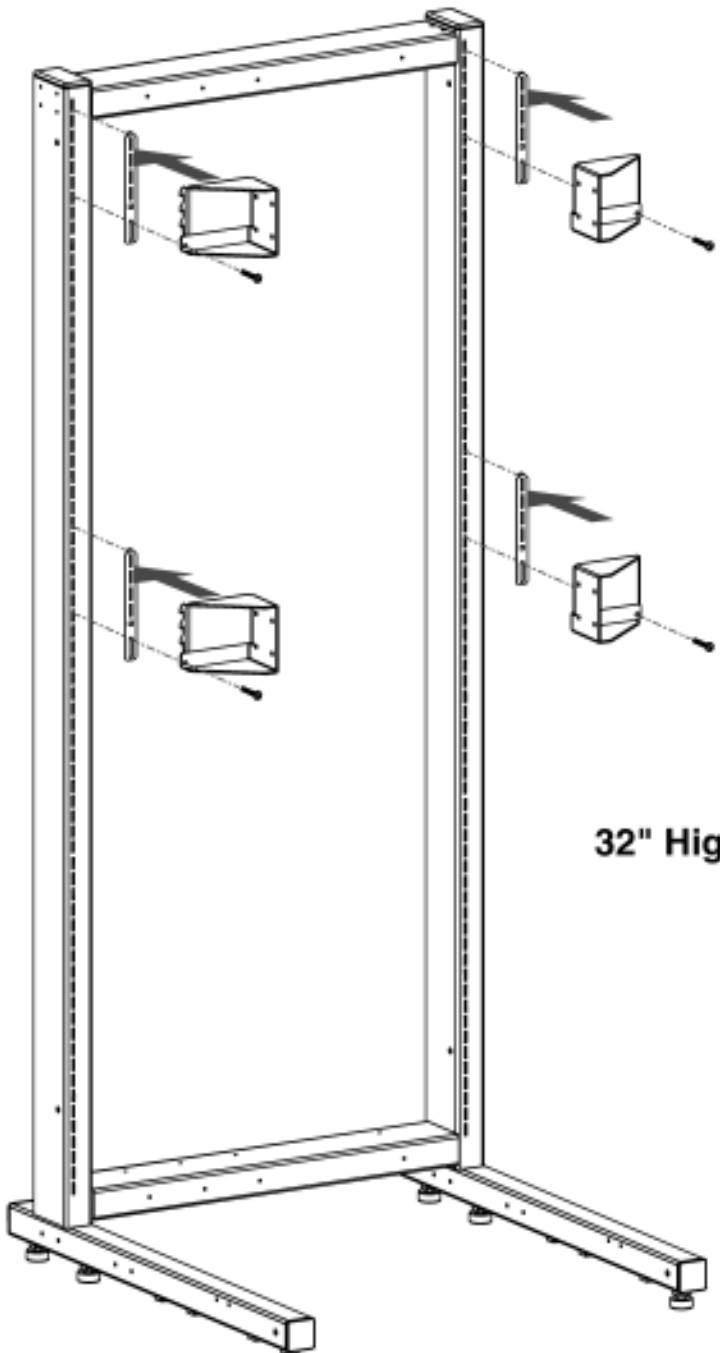
	A	B	C	D	E
1	4x 	4x 	5x  12-24 x 1/2"	33x  10-32 x 3/8"	4x 
2	2x 	17x  1/4-20	17x  1/4-20 x 1/2"		
3	31x 	31x  10-32 x 1/2"	1x  5/32"		



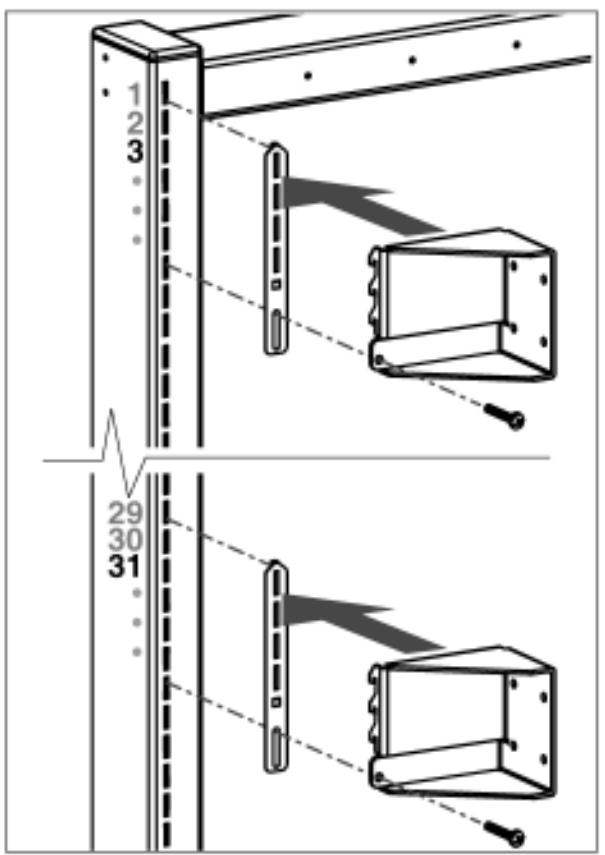
1

4x  12-24 x 1/2"

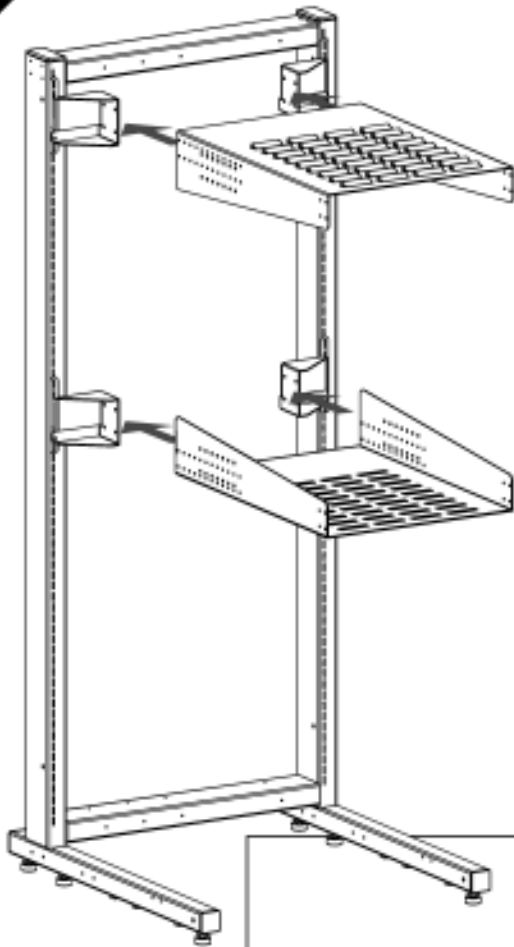
25" High

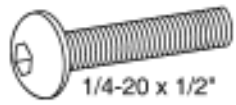



32" High



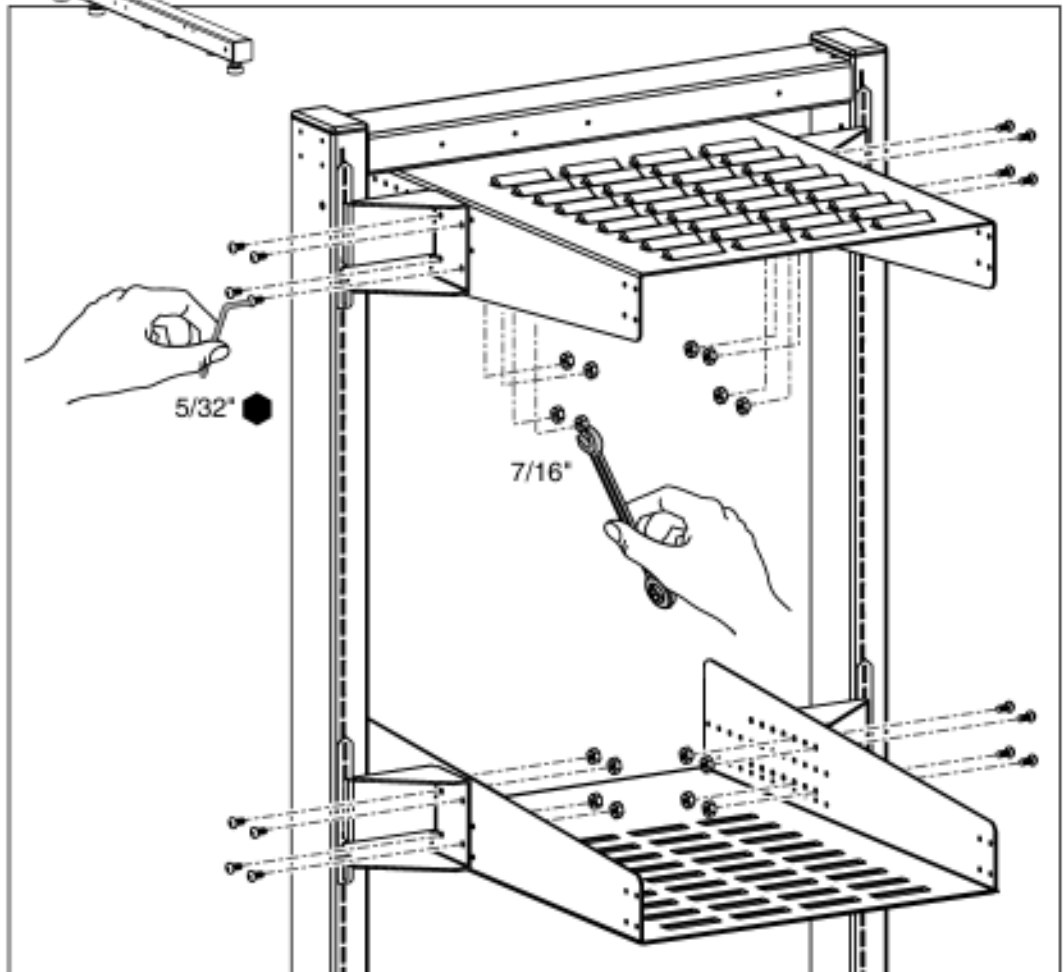
2



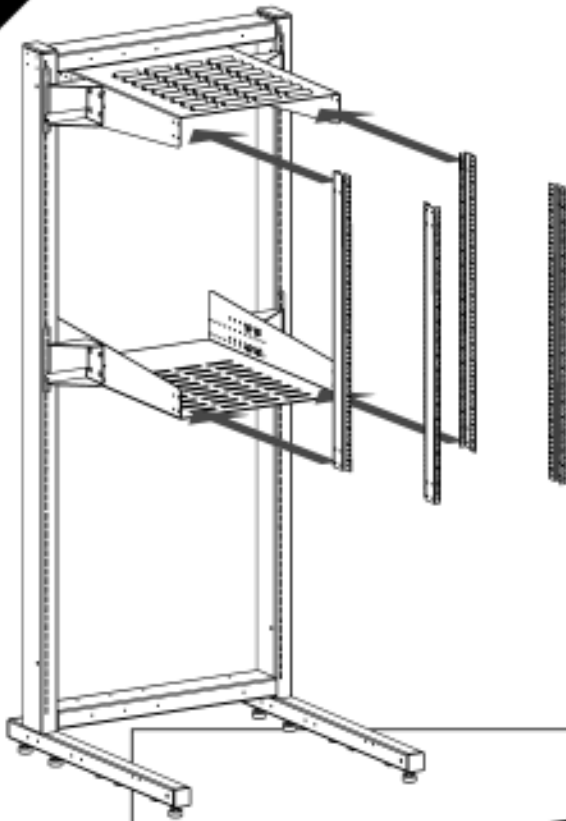
16x  1/4-20 x 1/2"

16x  1/4-20

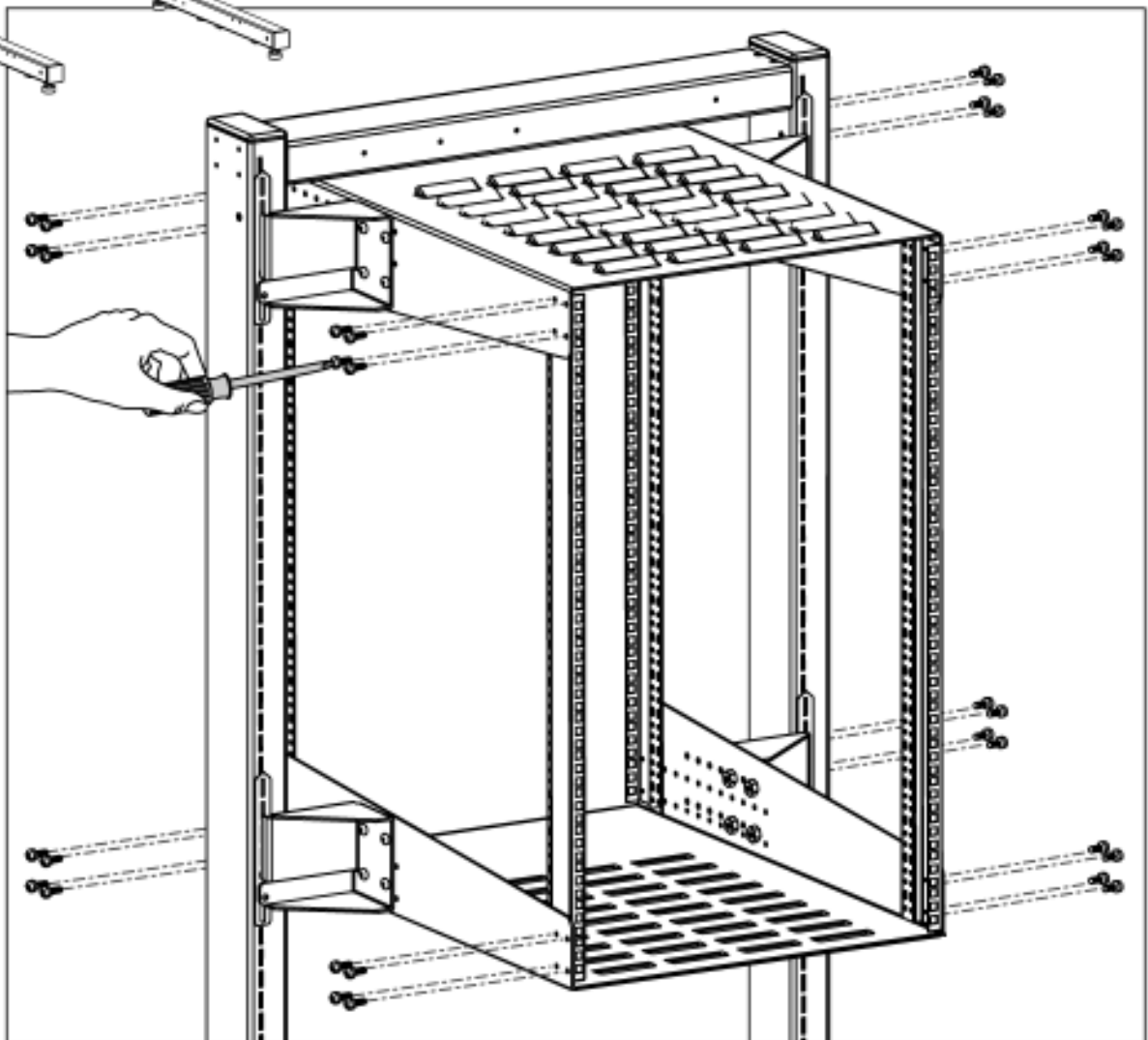
 5/32"

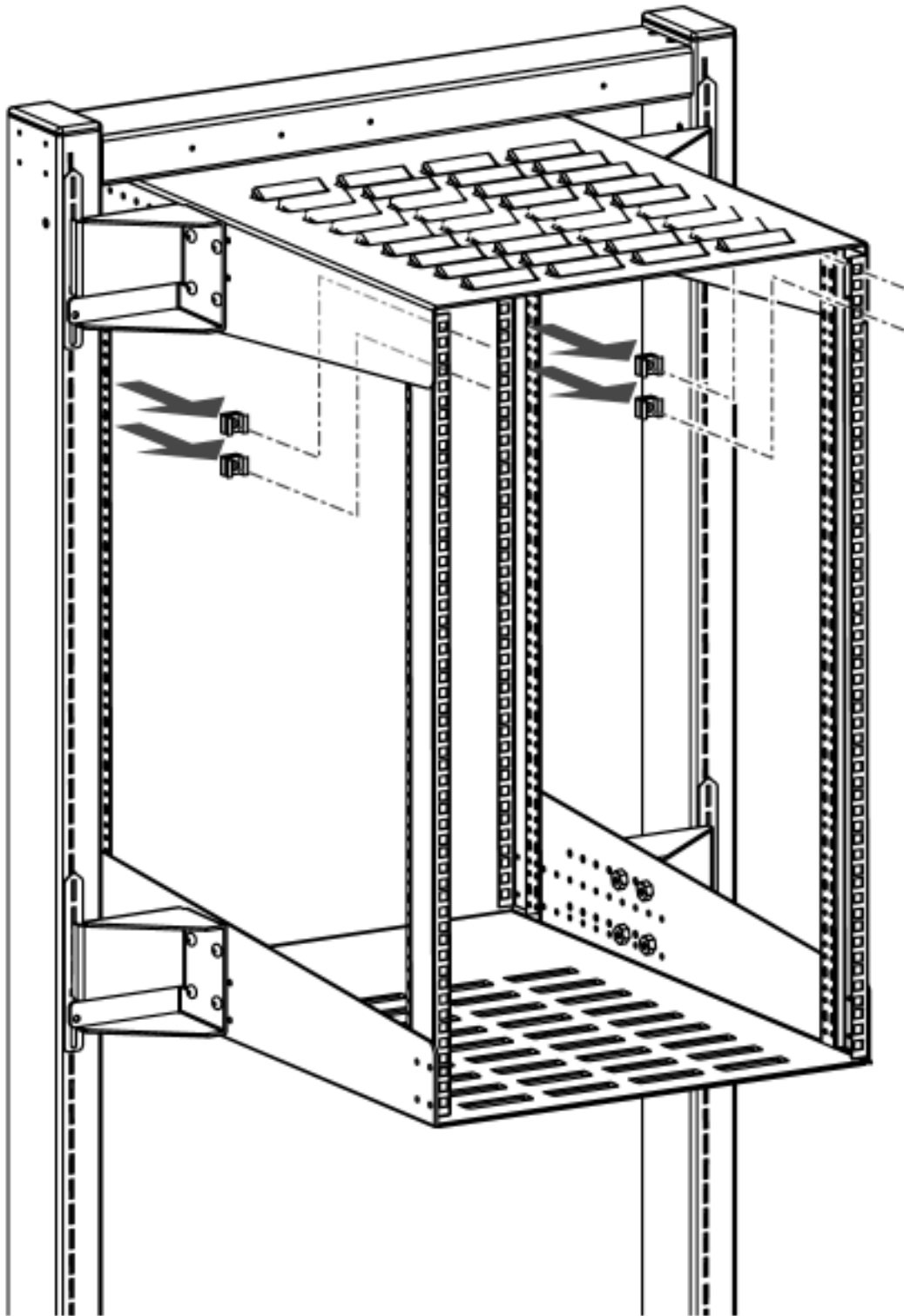


3

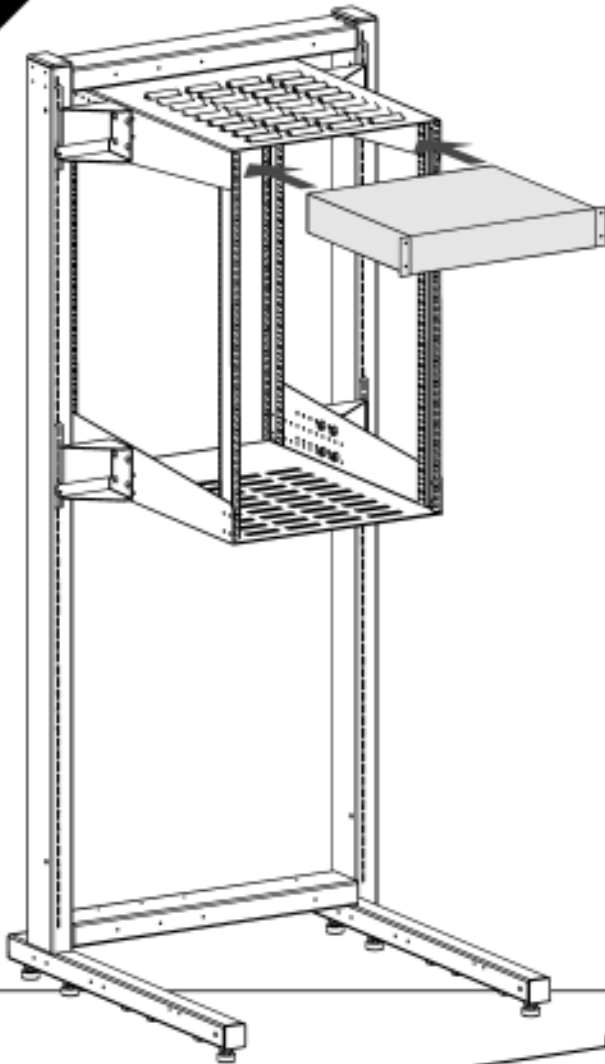


32x  10-32 x 3/8"

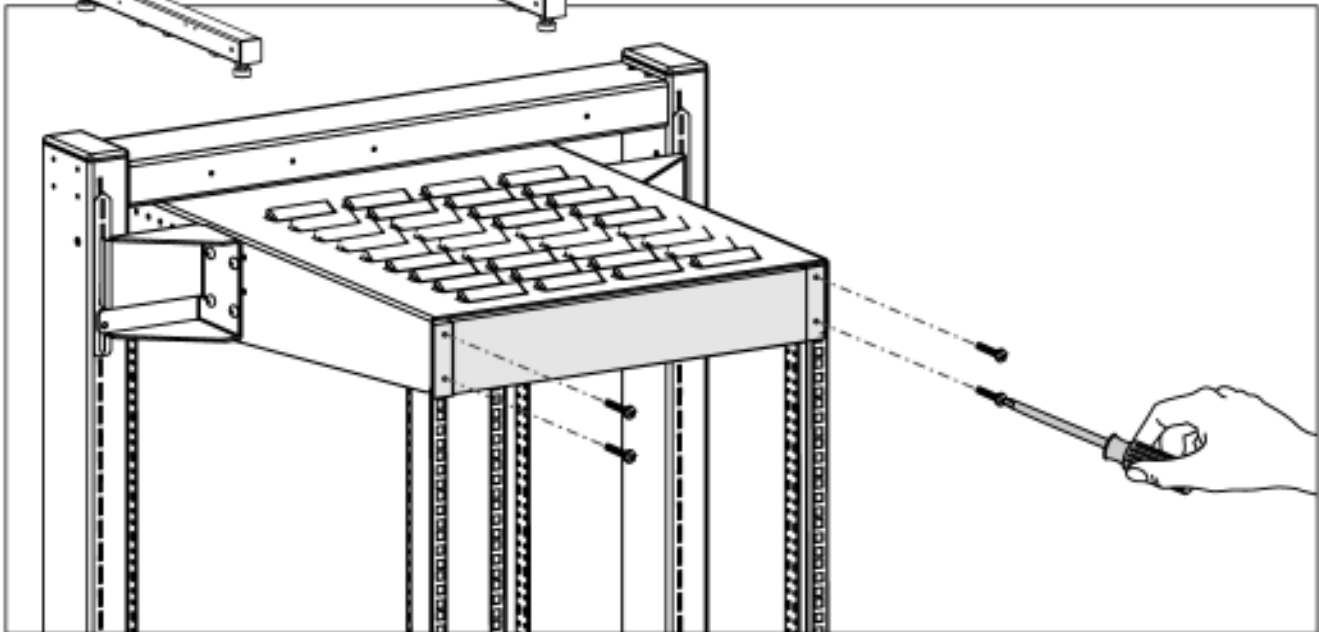




5



10-32 x 1/2"



8683 Virginia Meadows Drive, Manassas VA 20109
800-994-3002 or 703-369-3002
Fax: 703-257-9047, www.morrellindustries.com

Patents Pending and Patented U.S. & Foreign.

Reproduction of this material in whole or part for any purpose other than that authorized by Morrell Industries, Inc. is prohibited.
©2007 Morrell Industries, Inc. All rights reserved.