

With Accessories

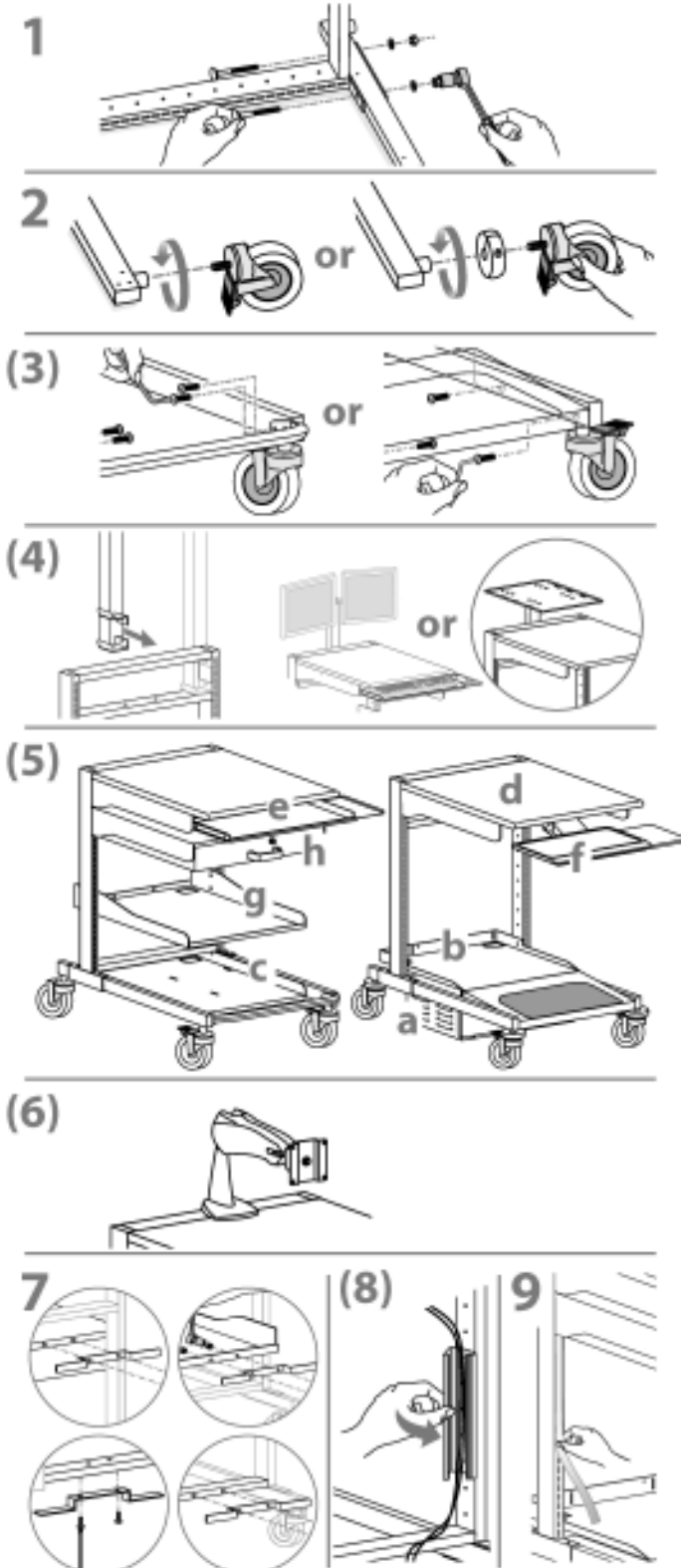


	A	B	C	D
1	1x 	2x 	2x 	2x
2		1x 	1x 	
3		4x 	4x 	4x
4	1x 	2x 	2x 	2x



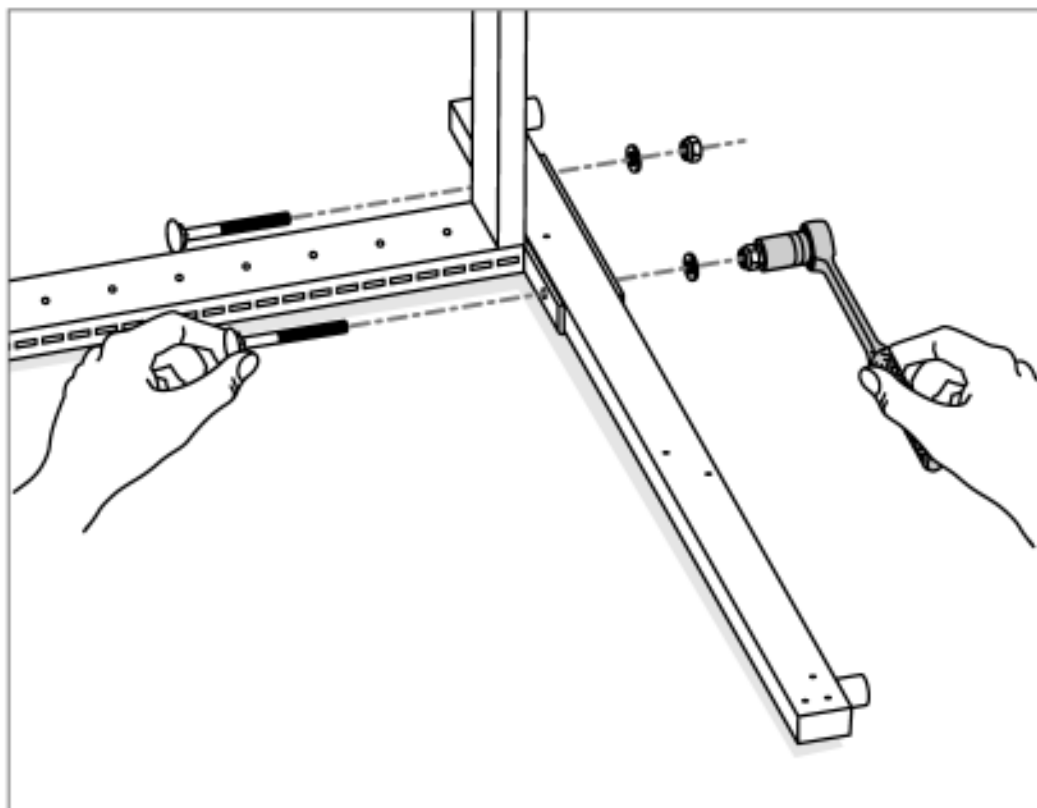
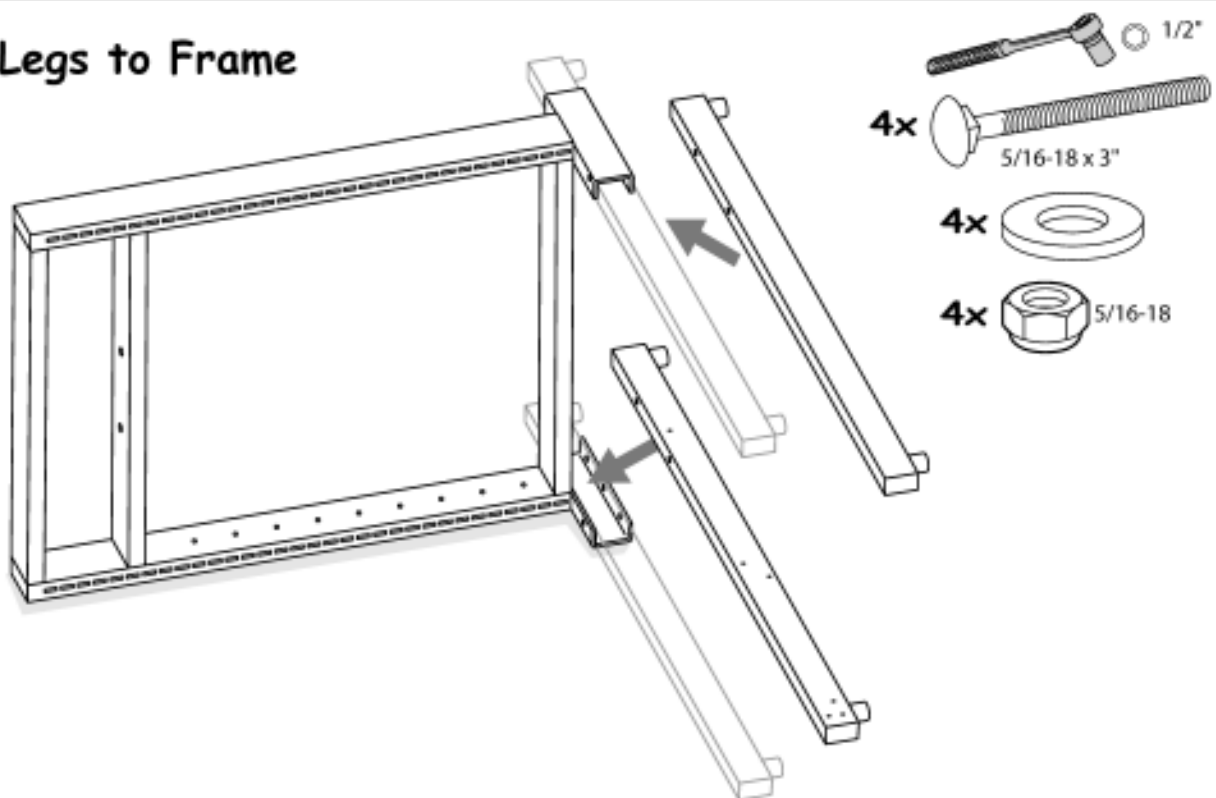
Order of Installation

Before you begin to assemble your Mobile WorkCenter, read and become acquainted with the Order of Installation Guide, below. It provides an overview of the basic components of the Mobile WorkCenter, and instructs you to attach any optional accessories in the correct sequence, referencing to appropriate additional installation manuals, as needed.



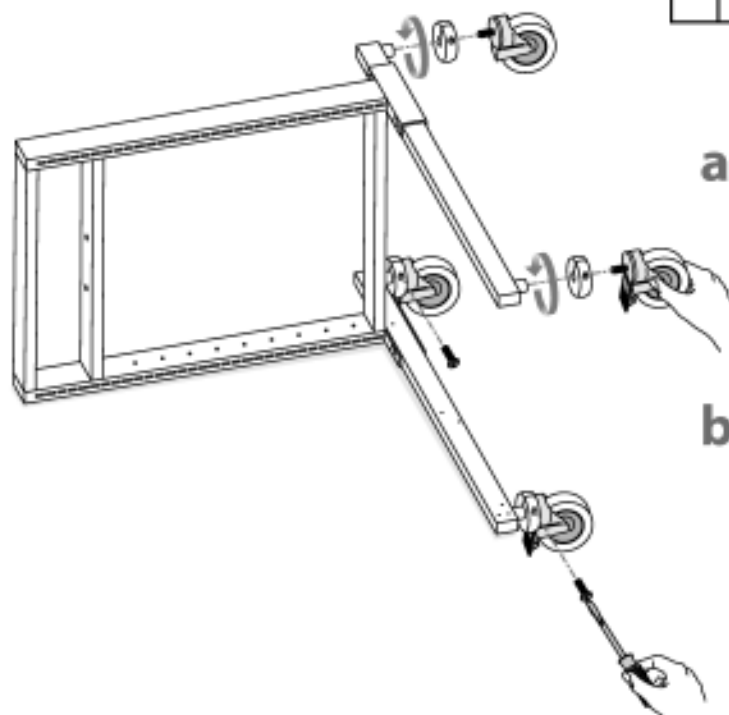
1	Legs to Frame	3
2	Casters (optional caster bumper)	4
(3)	Footrest: bar or platform style	5
(4)	Pole: for monitor arm or platform.....	5
(5)	Accessories:	
	a UPS Holder	6
	b 15" Tower Shelf/UPS Cover	6
	c 19" Tower Shelf	6
	d Worksurface & Mounting Hardware	6
	e Keyboard Drawer	7
	f Keyboard Arm & Tray	7
	g Server Shelf	7
	h Storage Drawer	7
(6)	Base & Flat Panel Monitor/Laptop Arm	8
7	Cable Winding Bracket.....	9
(8)	Cable Management Channel.....	10
9	Tape unused slots on frame	10



1 Legs to Frame

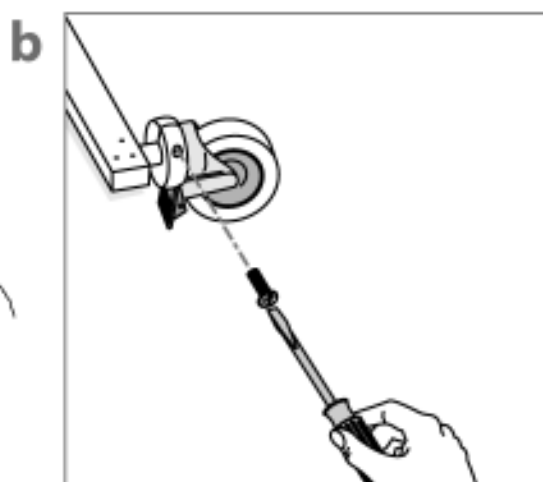
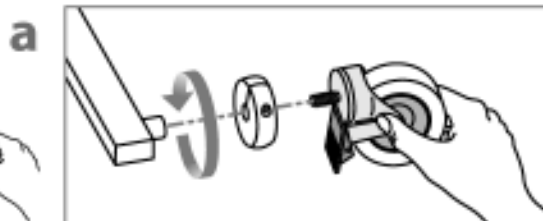


2 Casters

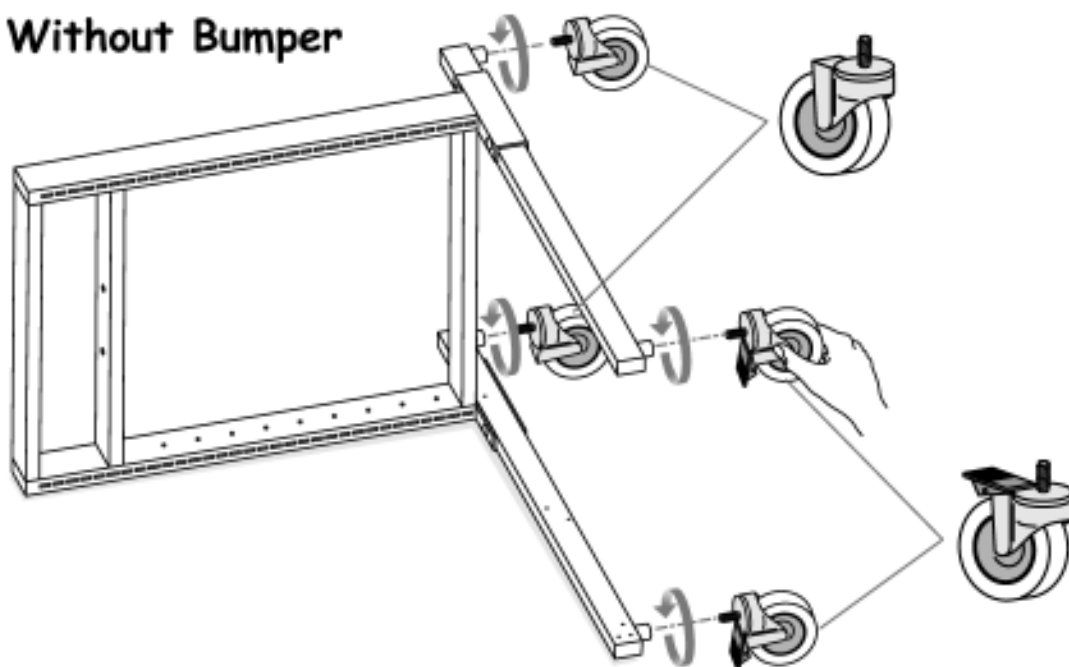
Optional Caster Bumper



	A	B
1	1x 	1x 

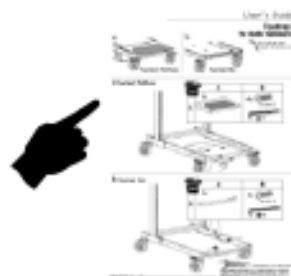
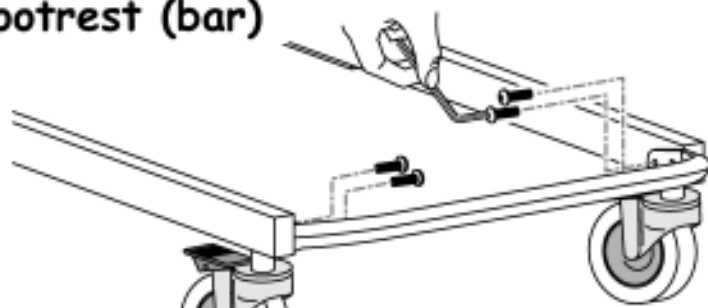


Without Bumper



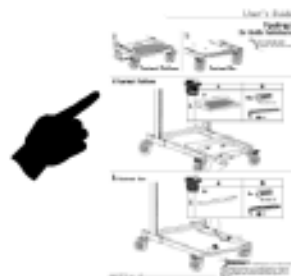
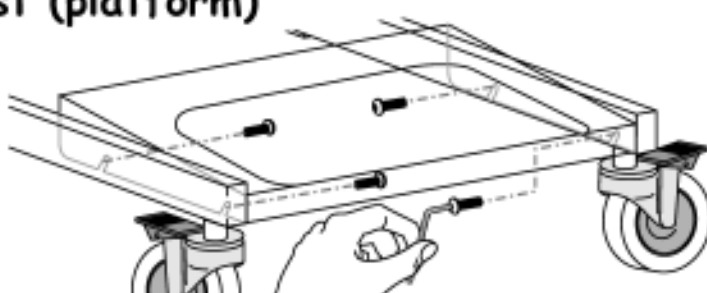
If your configuration uses any of the following components, attach them now using the appropriate manual provided with the component.

(3) Footrest (bar)



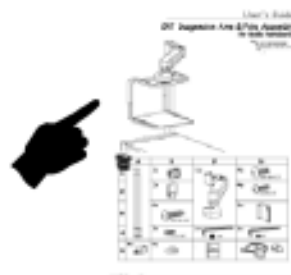
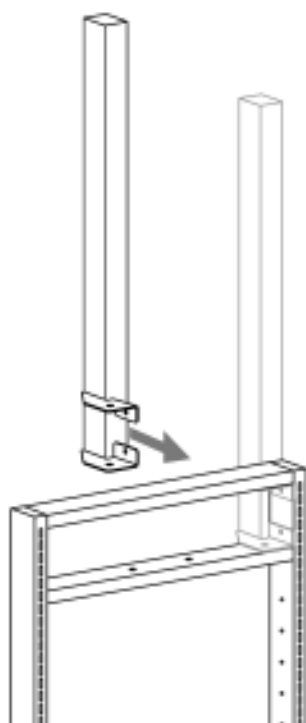
MILIT-85007-XX

Footrest (platform)



MILIT-85007-XX

(4) Pole: for monitor arm or platform

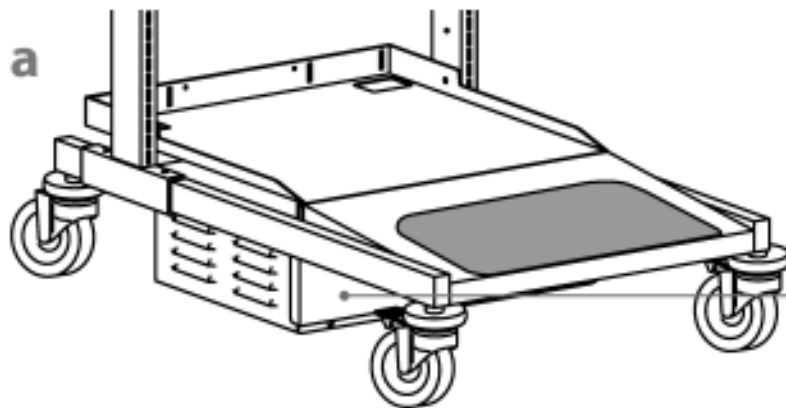


MILIT-44052-XX

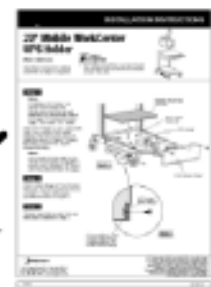


MILIT-50024-XX

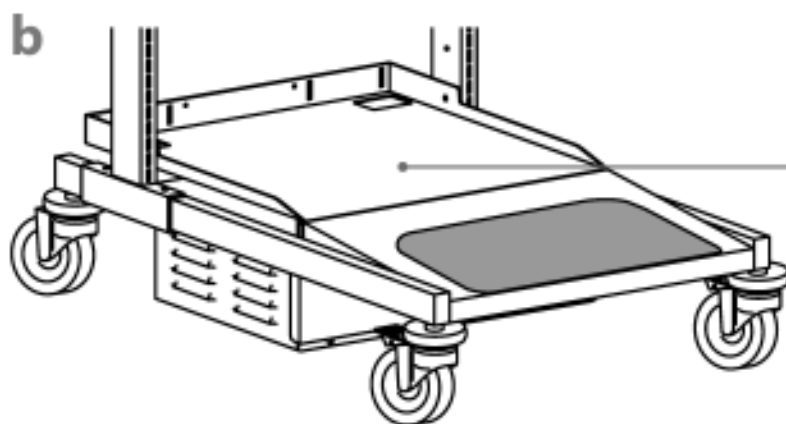
(5) Accessories: Attach your accessories now using appropriate manual provided with accessory



UPS Holder



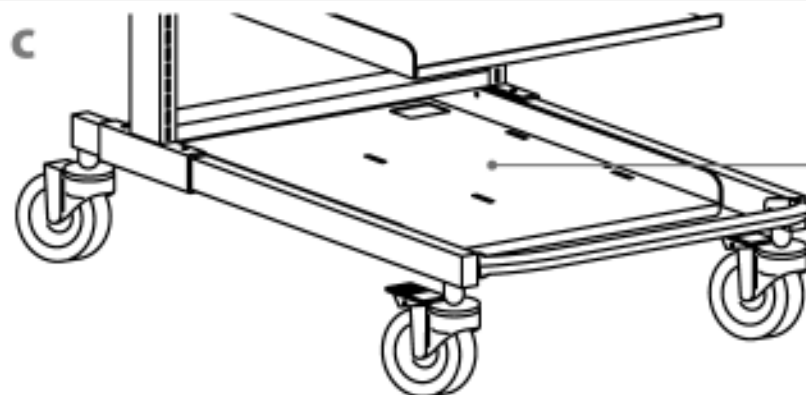
MILIT-50023-XX



15" Tower Shelf



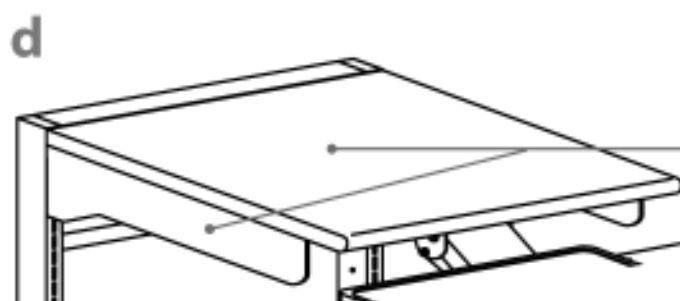
MILIT-50026-XX



19" Tower Shelf



MILIT-50025-XX



Worksurface & Mounting Hardware



MILIT-65008-XX

MILIT-24001-XX REV.A 05/07

e



Keyboard Drawer



MILIT-77006-XX

f

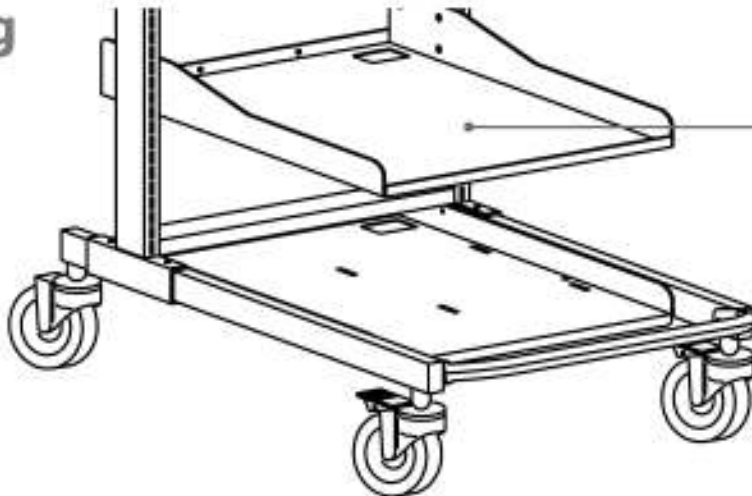


Keyboard Arm and Tray



MILIT-77002-XX

g

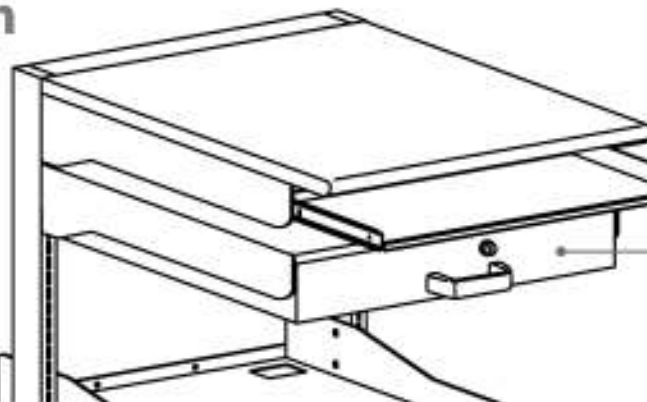


Server Shelf



MILIT-50022-XX

h

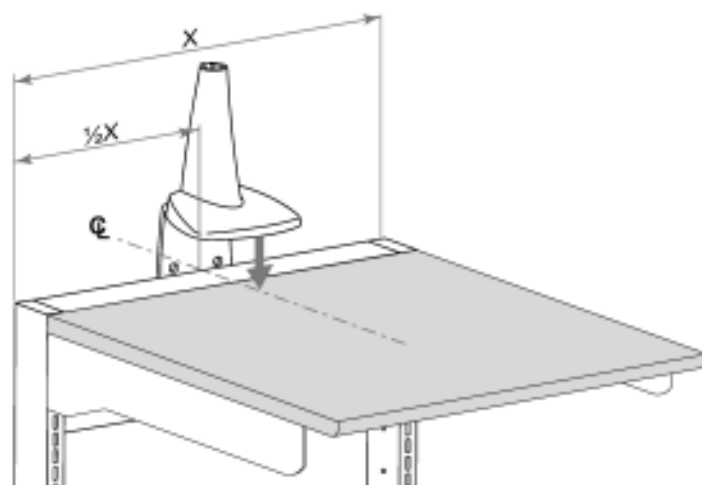
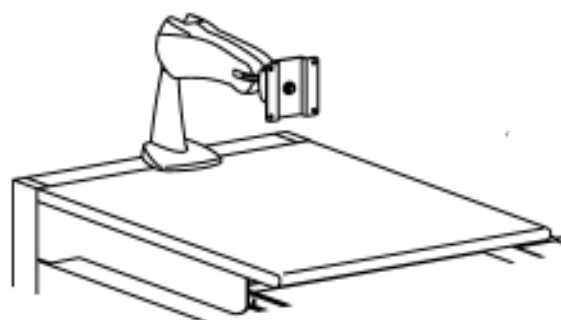


Storage Drawer



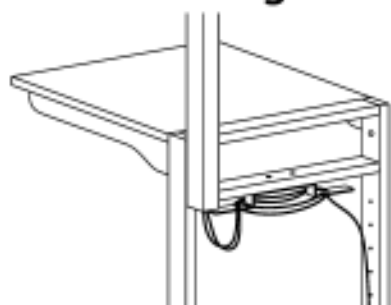
MILIT-68004-XX

(6) Base & Flat Panel Monitor/Laptop Arm:

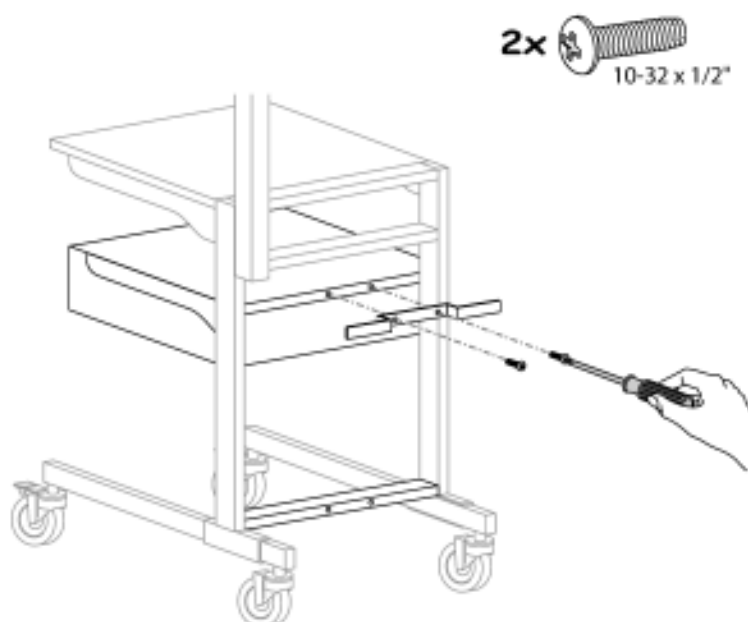
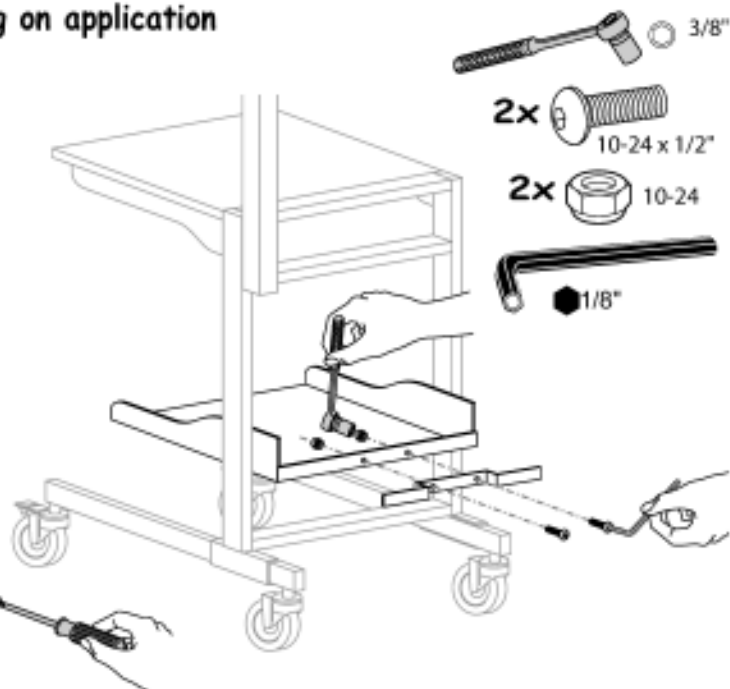


MILIT-45500-XX

7 Cable Winding Bracket

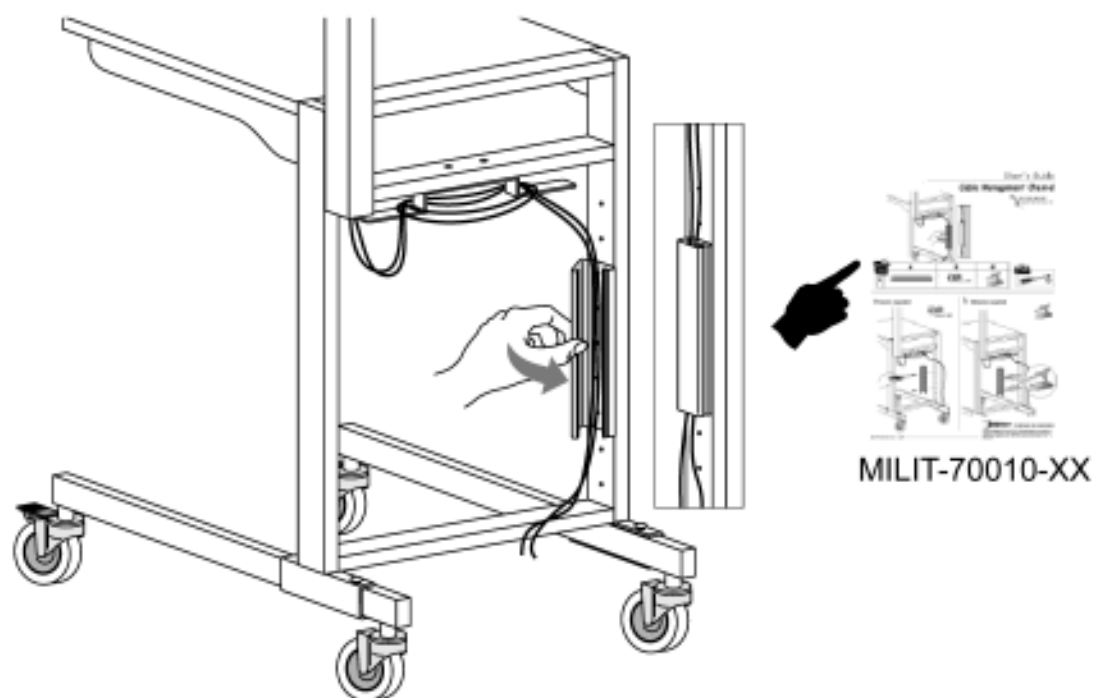


Optional mounting positions depending on application

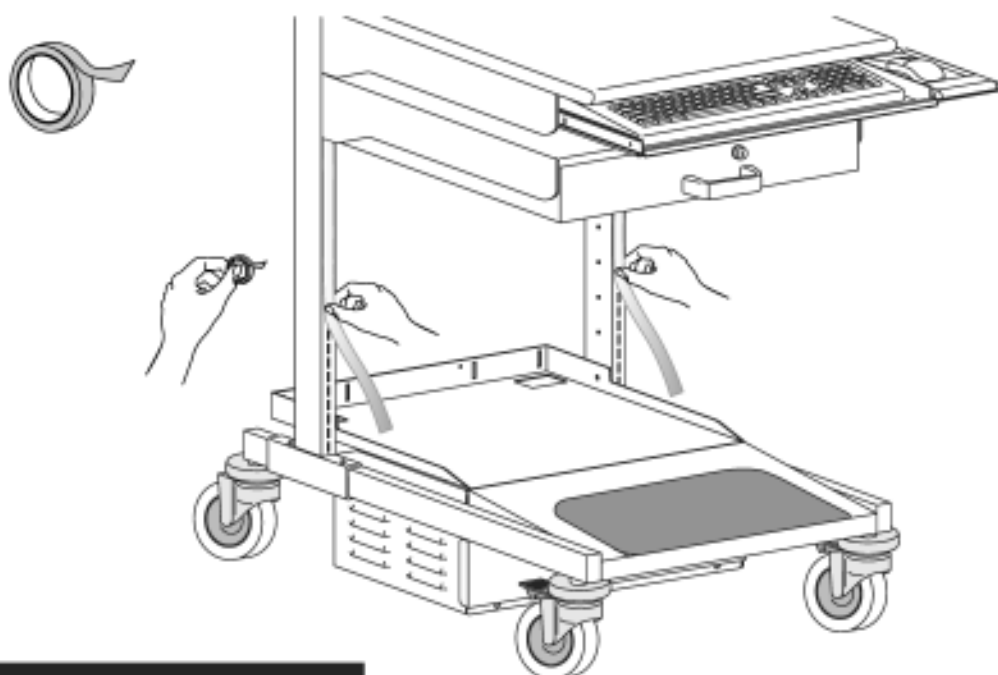


(8) Cable Management Channel:

If your configuration uses the Cable Management Channel, attach it now using the appropriate manual provided with the component.



9 Tape empty slots on frame



© 2007 Morrell Industries, Inc. All Rights Reserved.
Patents Pending and Patented US

Reproduction of this material in whole or part for any purpose other than that authorized by Morrell Industries, Inc is prohibited.