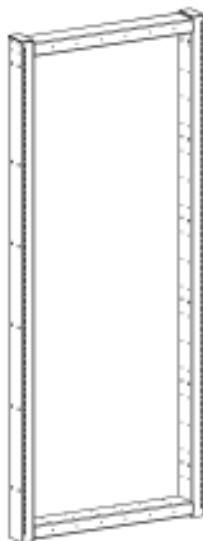
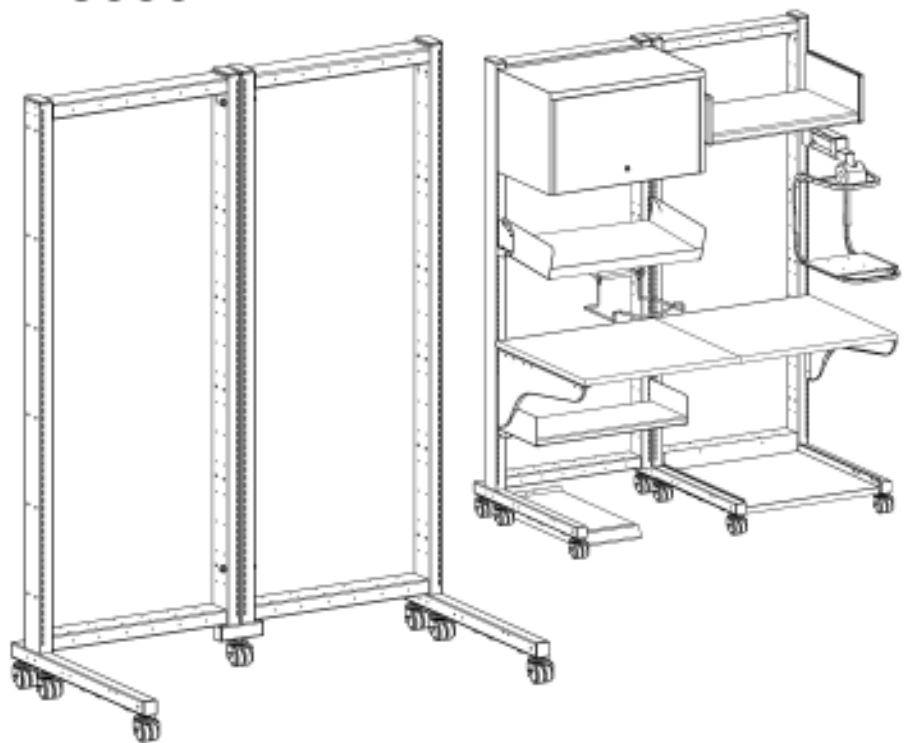


**LAN Organizer™ 3000  
(LO3000)**

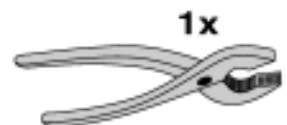
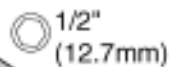
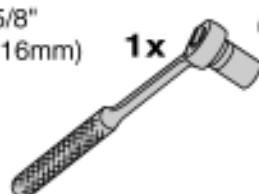
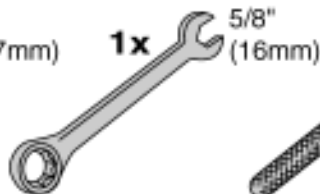


ph: 800-994-3002  
www.morrellindustries.com

Read these instructions.

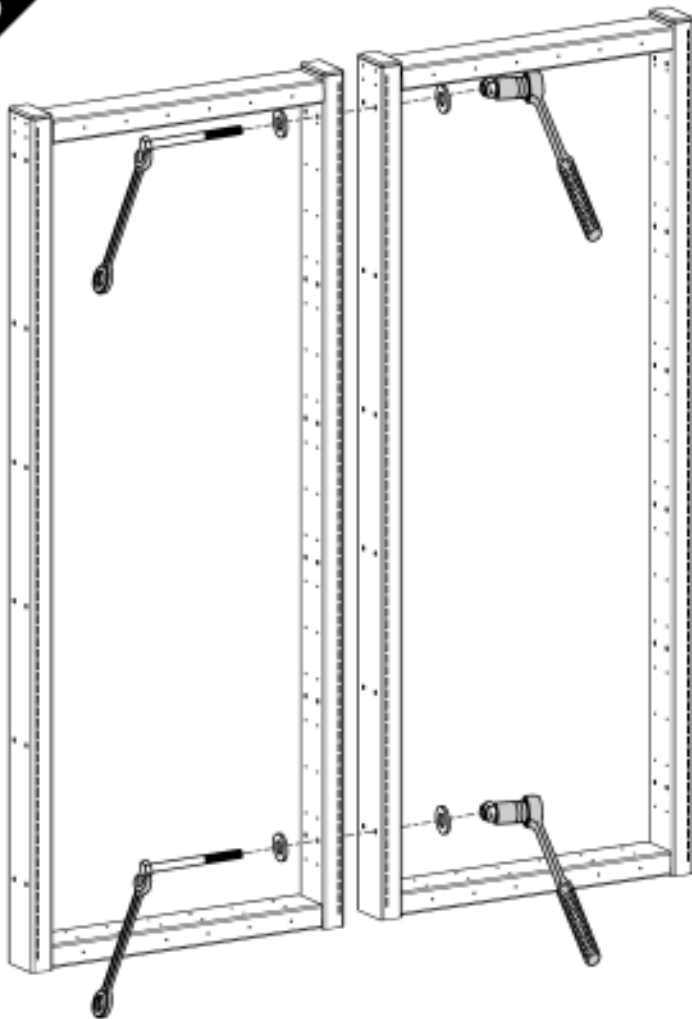


- 5/16-18 x 5/8"
- 3/8-16 x 3"
- 5/16-18 x 4 1/2"
- 5/16-18 nylock nut
- 5/16" washer
- 3/8" Washer

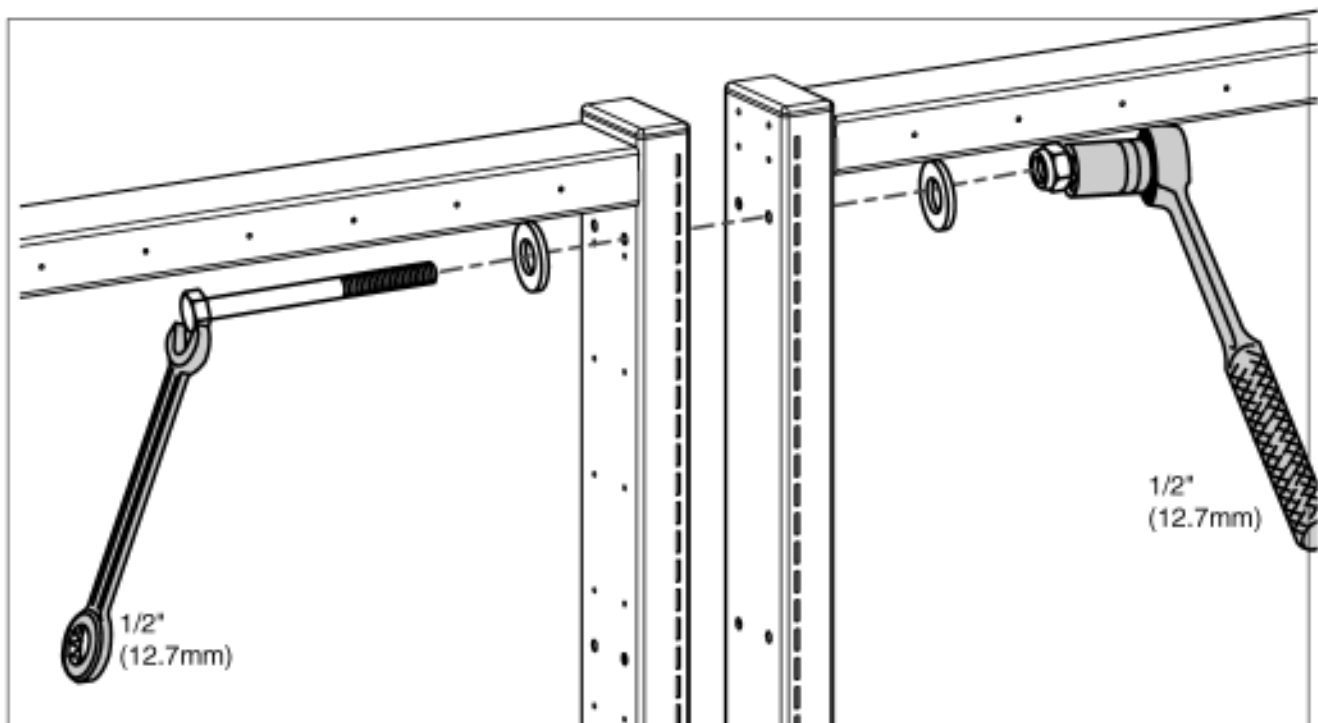




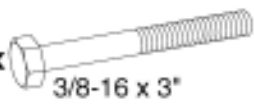
3



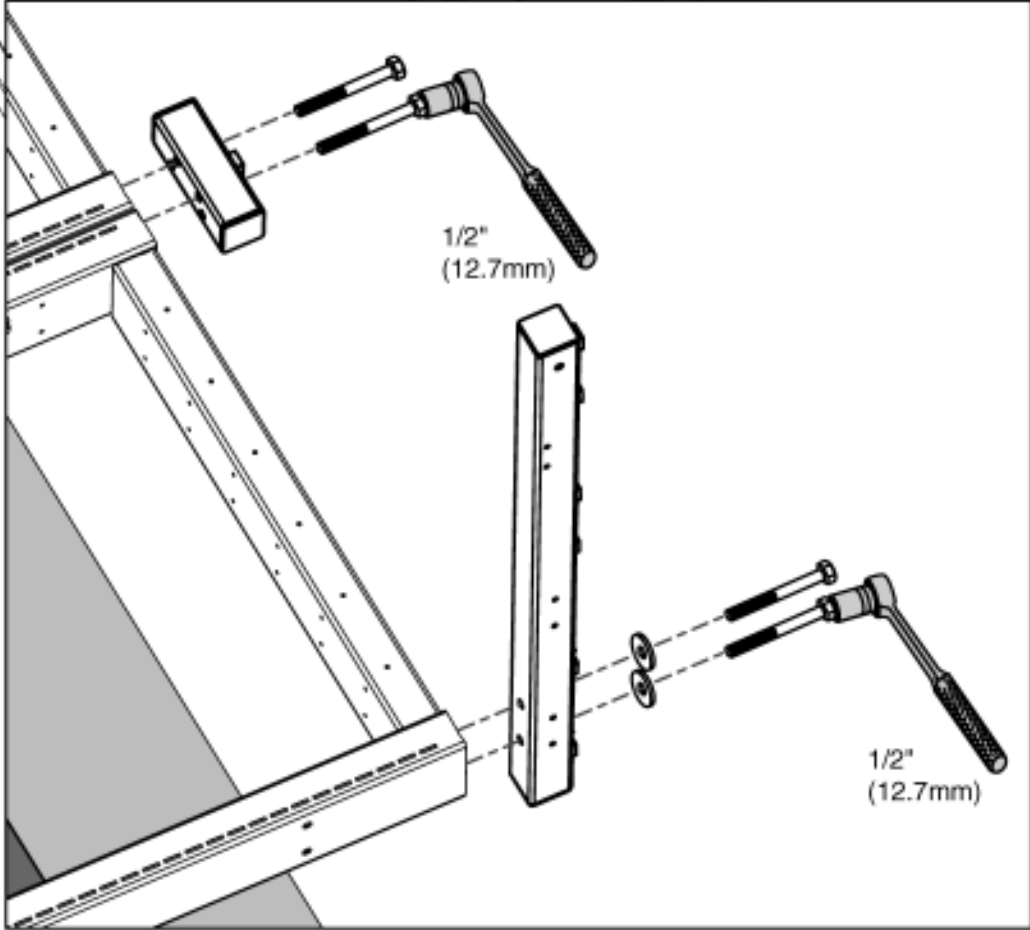
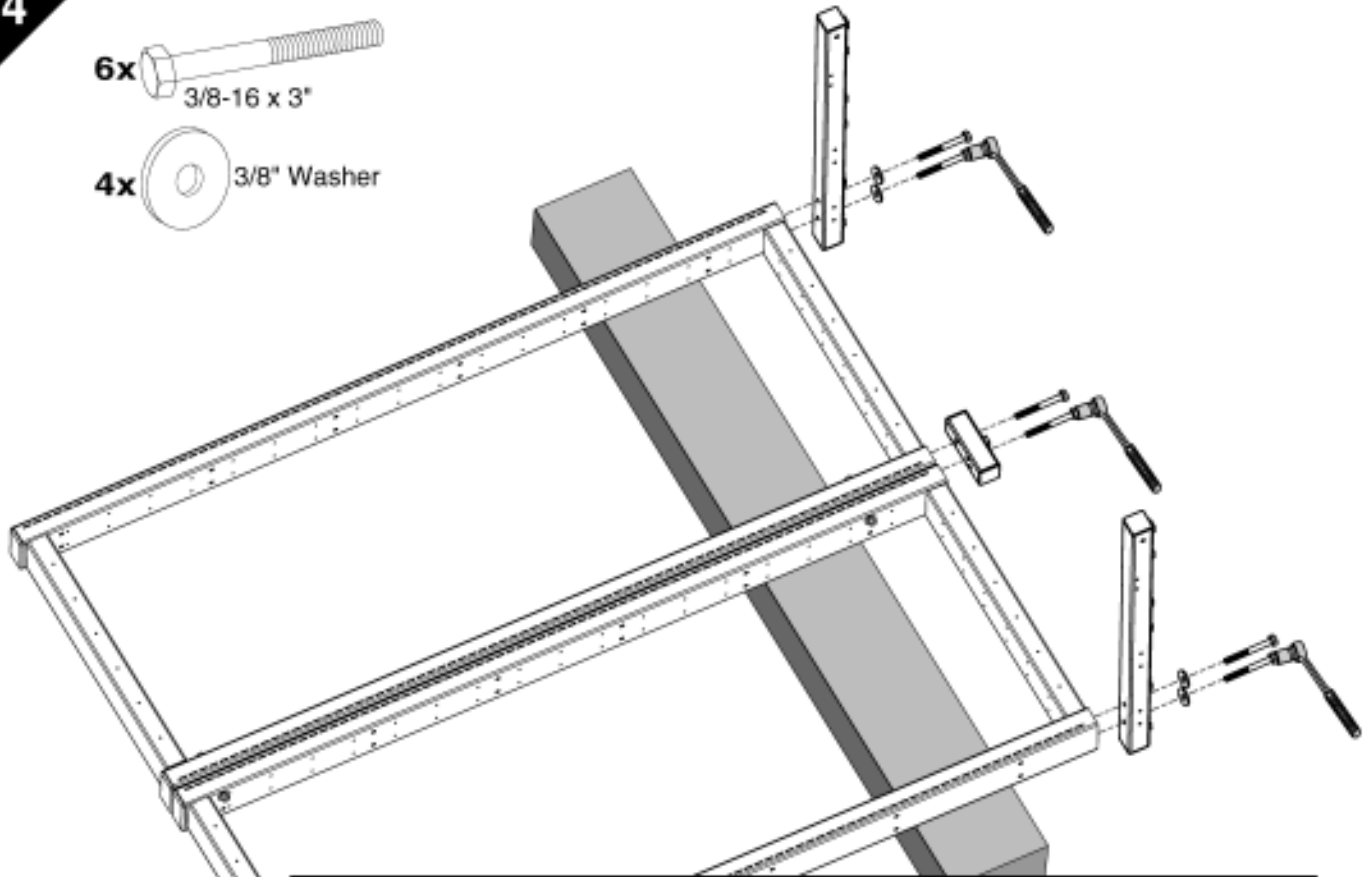
- 2x  5/16-18 x 4 1/2"
- 2x  5/16-18 nylock nut
- 4x  5/16" washer



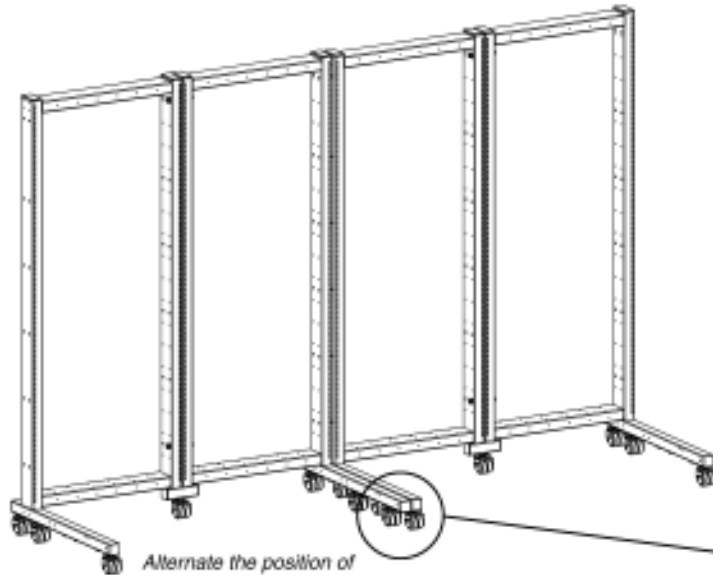
4

6x  3/8-16 x 3"

4x  3/8" Washer

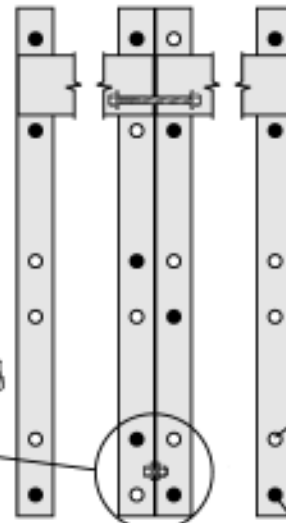


CASTER AND GLIDE PLACEMENT



Alternate the position of Casters on adjacent Legs so that they will pivot freely

Standard 34" Leg - Center Legs Joined

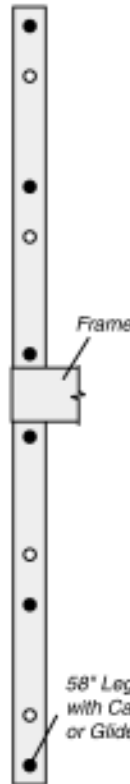


Alternate Casters on adjacent Legs

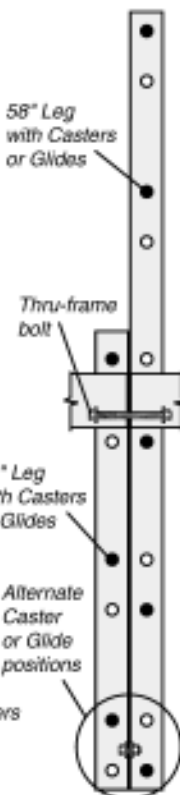
Weld-nut without Caster or Glide

Weld-nut with Caster or Glide

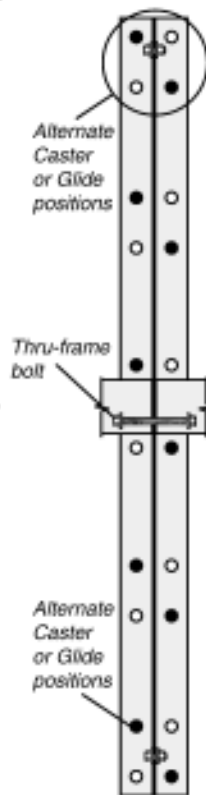
58" Leg



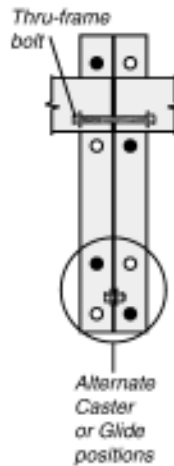
58" Leg & 34" Leg Joined



58" Leg & 58" Leg Joined



22" Legs Joined



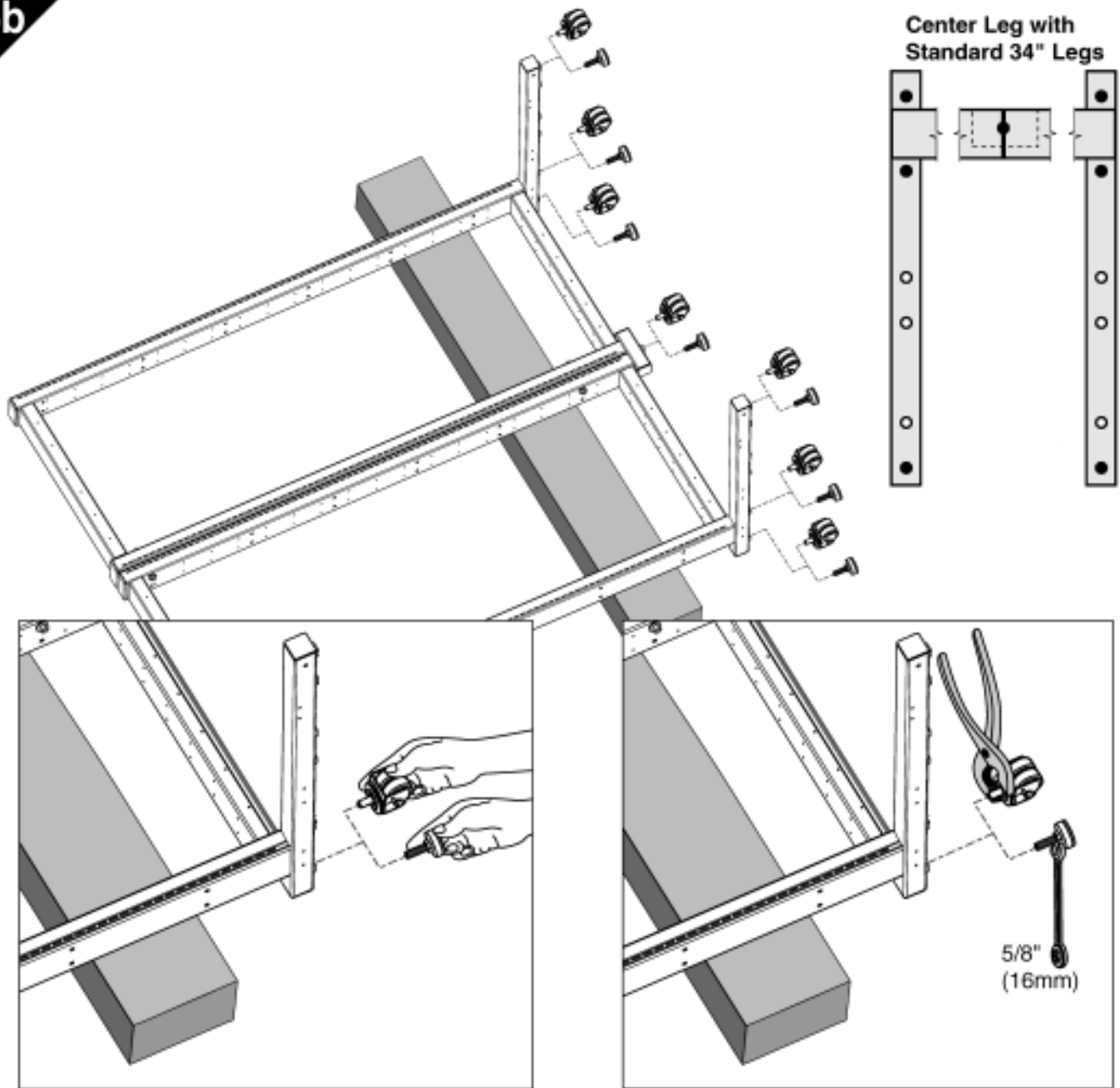
22" Legs



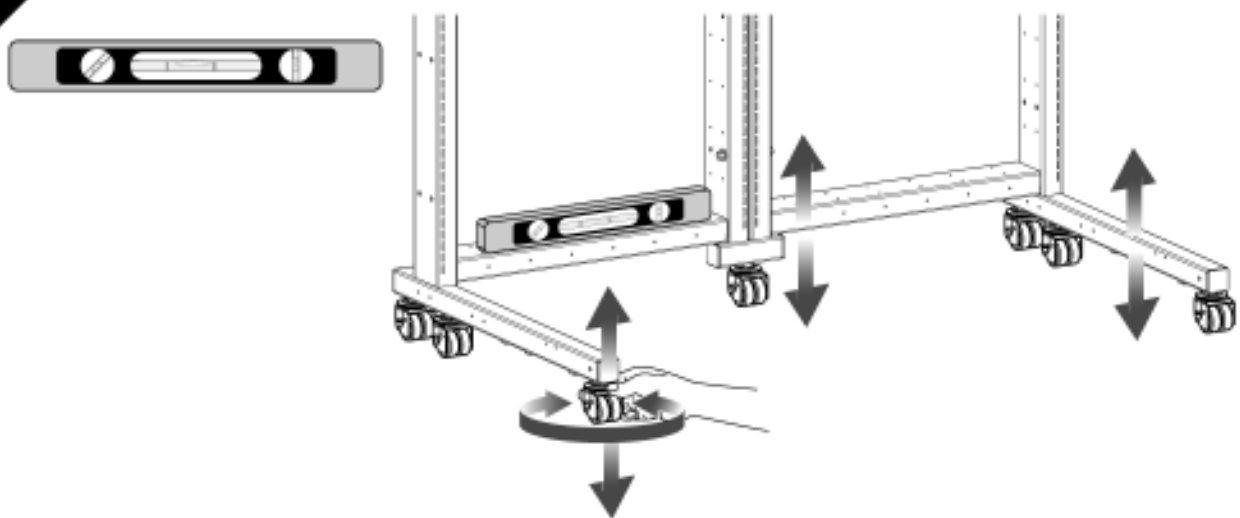
**CAUTION**

22" Legs must always be used in conjunction with a 34" or a 58" Leg (refer to Corner Configuration on page 3 for illustration).

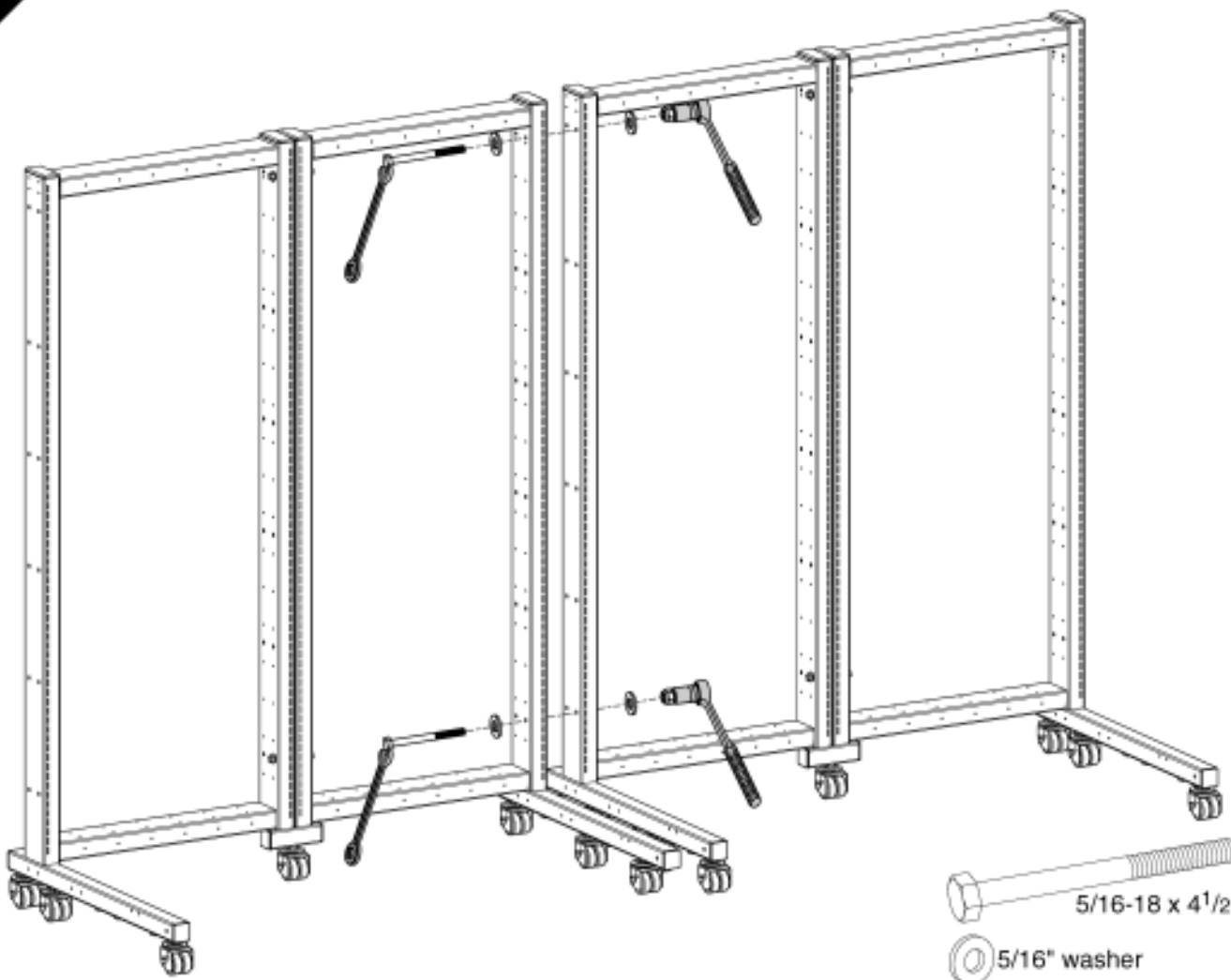
5b

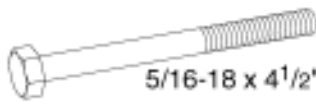
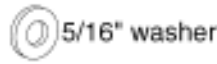
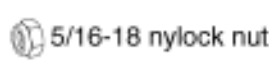


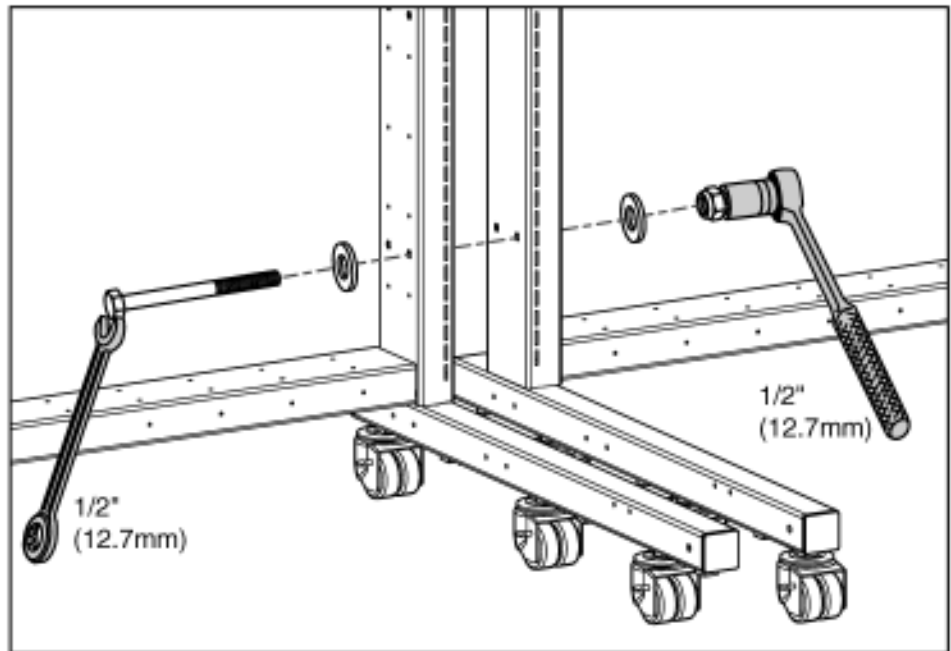
6

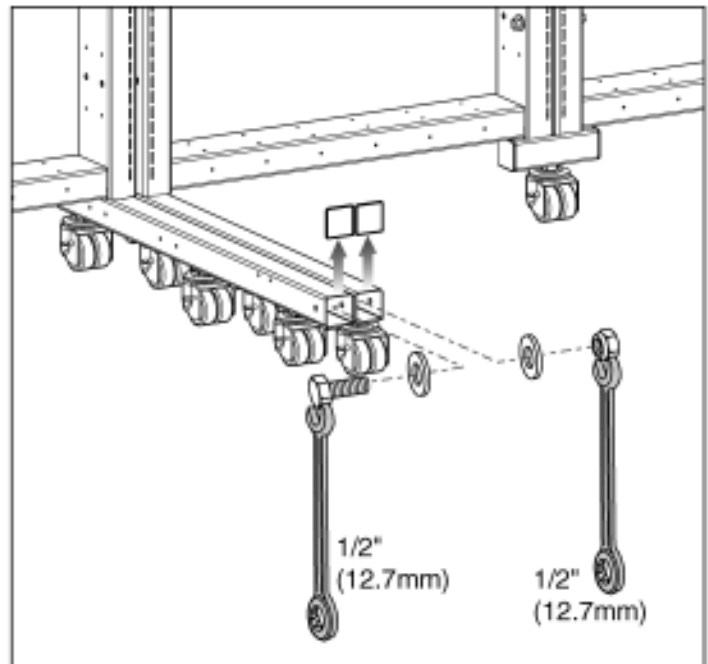
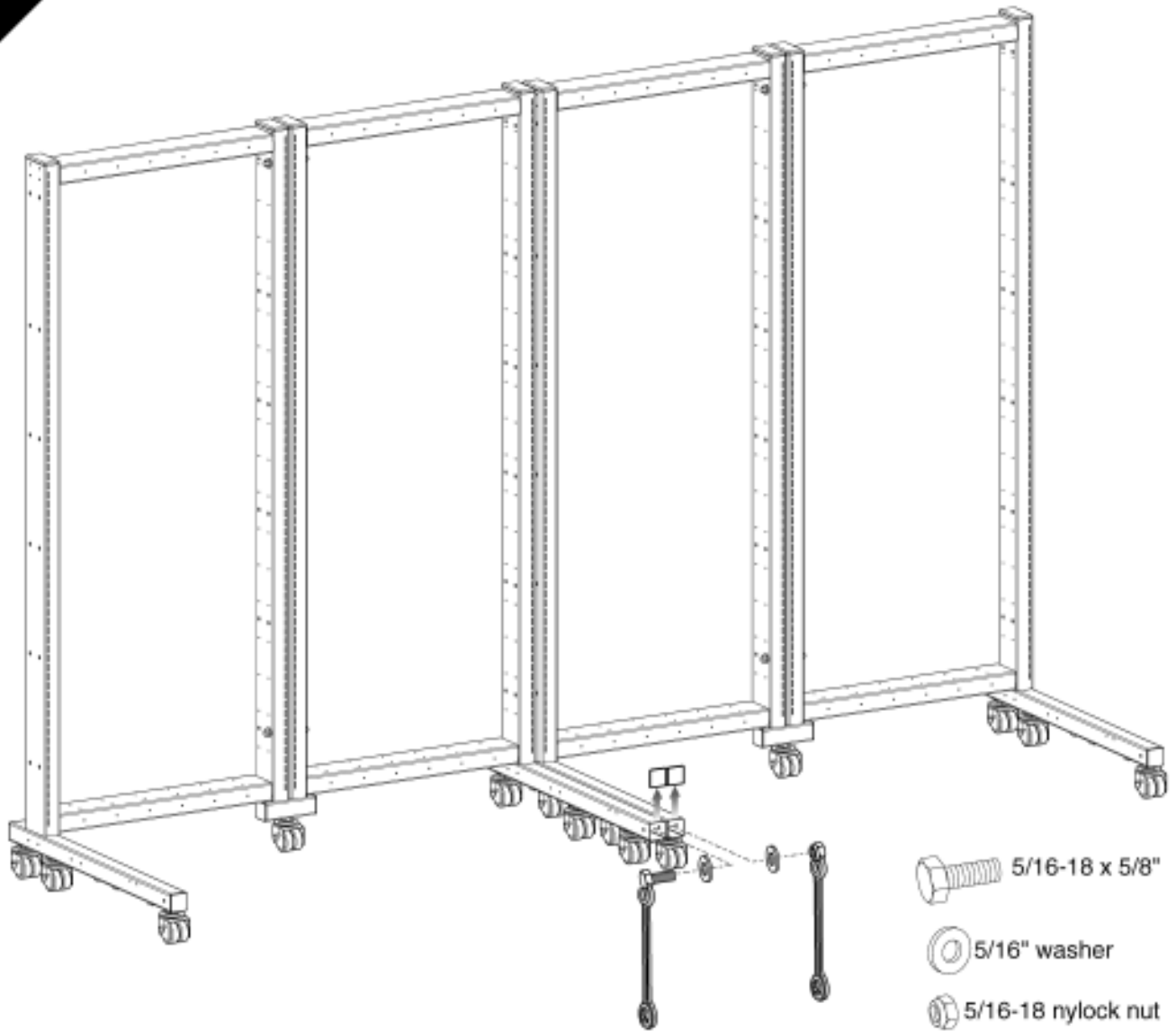


7

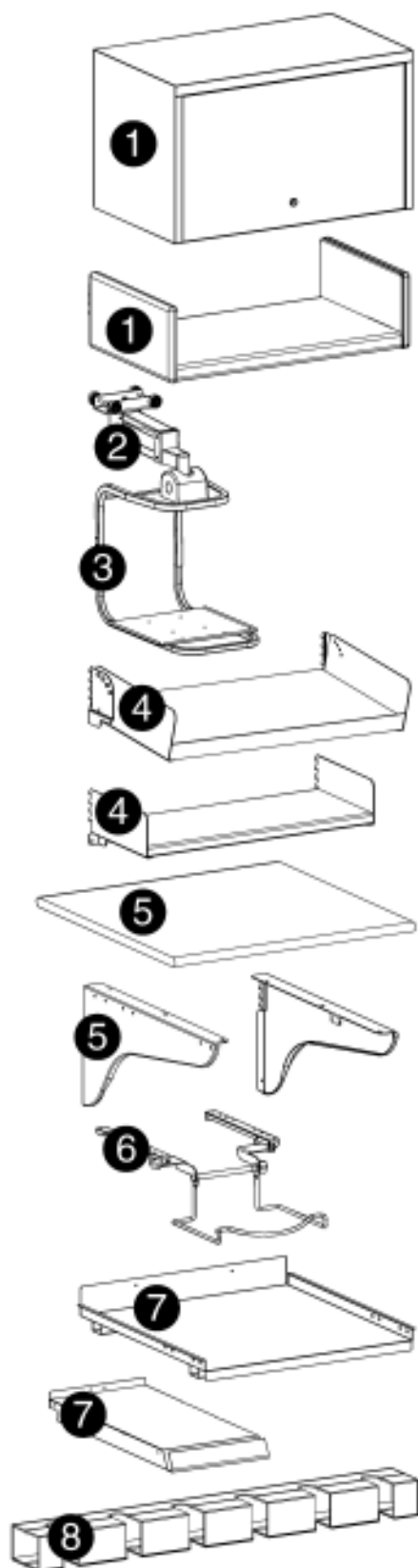
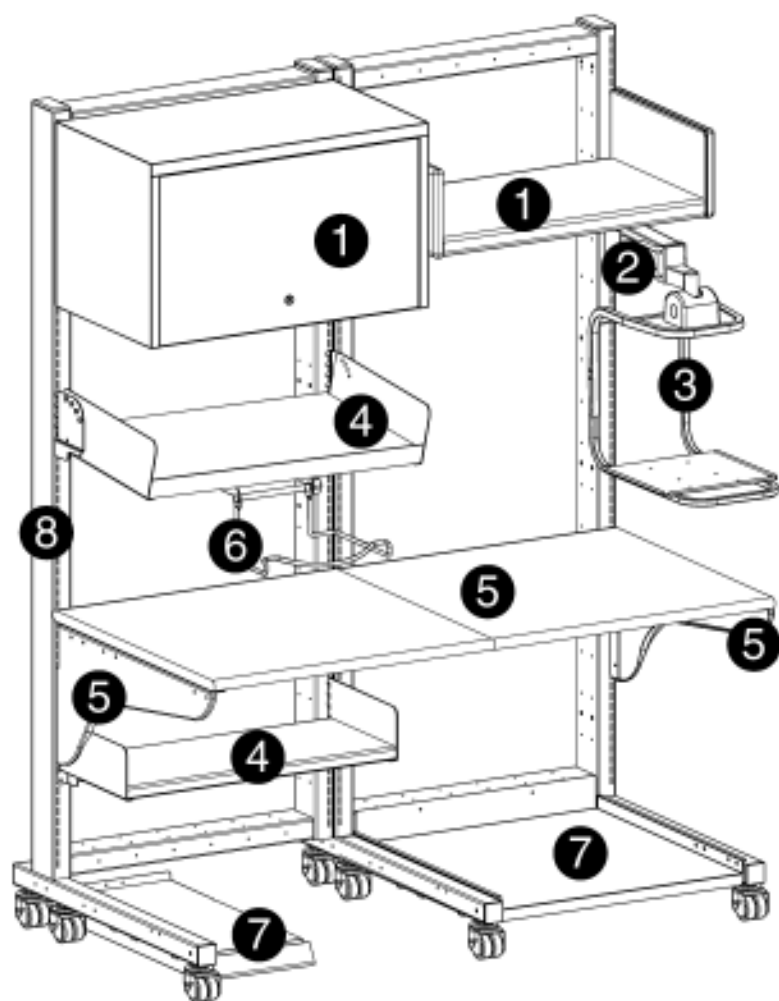


-  5/16-18 x 4 1/2"
-  5/16" washer
-  5/16-18 nylock nut





## Order of Installation for Optional LO3000 Components



8683 Virginia Meadows Drive, Manassas VA 20109  
800-994-3002 or 703-369-3002  
Fax: 703-257-9047, www.morrellindustries.com

Patents Pending and Patented U.S. & Foreign.

Reproduction of this material in whole or part for any purpose other than that authorized by Morrell Industries, Inc. is prohibited.  
© 2007 Morrell Industries, Inc. All rights reserved.